

Part Number **HSR-V10K** Contact Form A Switch Configuration SPST Rev. G

10,000 VDC Breakdown Voltage

Features	Advantages
<ul style="list-style-type: none"> Hermetically sealed contacts Tungsten contacts in vacuum environment Leaded glass currently exempted from RoHS requirements Voltage breakdown determined with maximum of 2 μA leakage current 	<ul style="list-style-type: none"> Extended operations in extreme environments Not ESD sensitive High voltage holdoff and switching ability Suitable for high/inductive current loads Voltage holdoff increases at upper end of pull-in range

Electrical Specifications

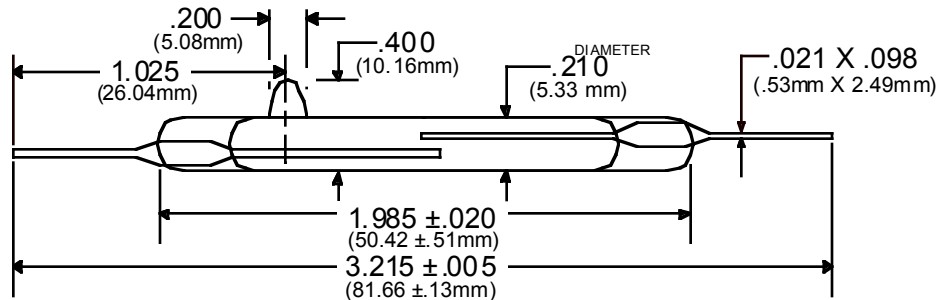
Power		Watts - maximum	50
Voltage	Switching	VDC - maximum	7500
	Breakdown	VDC - minimum	10000
Current	Switching	Amp - maximum	3
	Carry	Amp - maximum	4.5
Resistance	Initial Contact Resistance	Ohm - maximum	0.10
	Insulation Resistance	Ohm - minimum	1 E11
Capacitance	Contact	pF - typical	1.0
Temperature	Operating	$^{\circ}$ C	-60 to +125
	Storage	$^{\circ}$ C	-100 to +200

Magnetic Specifications

Pull - In Range		Ampere Turns	100-150
Test Coil		NARM RS-421-A	Coil III

Physical/Operational Specifications

Capsule Volume	Excluding Leads	CC - nominal	1.22
Contact Material			Tungsten
Operate Time	Including Bounce	mSeconds - maximum	3.20
Release Time	Including Bounce	mSeconds - maximum	1.50



- Notes:
- Specifications are not constant across entire magnetic range.
 - Customer must exercise care in handling, mounting, lead forming, and cutting to prevent damage to glass capsule and/or switch sensitivity.
 - For information or custom configurations about performance, mounting options or packaging, contact our Sales department.
 - Information contained hereon is for informational purposes only and should not be deemed as accurate for a specific application. Consult factory for specific application information and/or latest revision.

Part Number **HSR-V10K** Contact Form A Switch Configuration SPST Rev. G

10,000 VDC Breakdown Voltage

Features	Advantages
<ul style="list-style-type: none"> Drop Out will not exceed 55% of Pull In 	

Electrical Specifications

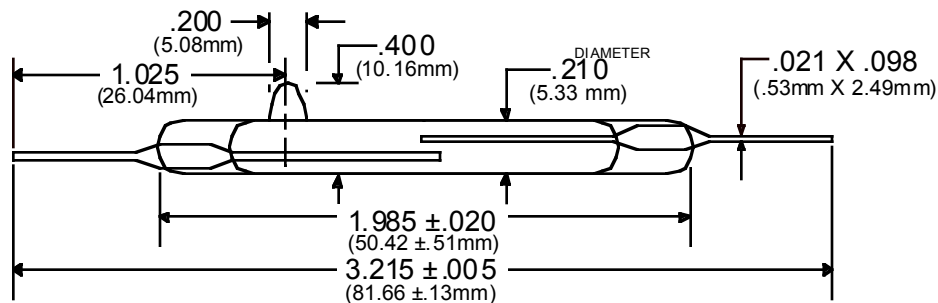
Power		Watts - maximum	50
Voltage	Switching	VDC - maximum	7500
	Breakdown	VDC - minimum	10000
Current	Switching	Amp - maximum	3
	Carry	Amp - maximum	4.5
Resistance	Initial Contact Resistance	Ohm - maximum	0.10
	Insulation Resistance	Ohm - minimum	1 E11
Capacitance	Contact	pF - typical	1.0
Temperature	Operating	°C	-60 to +125
	Storage	°C	-100 to +200

Magnetic Specifications

Pull - In Range		Ampere Turns	100-150
Test Coil		NARM RS-421-A	Coil III

Physical/Operational Specifications

Capsule Volume	Excluding Leads	CC - nominal	1.22
Contact Material			Tungsten
Operate Time	Including Bounce	mSeconds - maximum	3.20
Release Time	Including Bounce	mSeconds - maximum	1.50



- Notes:
- Specifications are not constant across entire magnetic range.
 - Customer must exercise care in handling, mounting, lead forming, and cutting to prevent damage to glass capsule and/or switch sensitivity.
 - For information or custom configurations about performance, mounting options or packaging, contact our Sales department.
 - Information contained hereon is for informational purposes only and should not be deemed as accurate for a specific application. Consult factory for specific application information and/or latest revision.